

ECO GREEN ENERGY

Installation Manual for

PV Modules

Atlas TOPCon and TOPCon-R Series

Table Of Content

1	General Information	2
1.1	Overview.....	2
1.2	Warning	2
2	Installation.....	4
2.1	Installation safety	4
2.2	Installation Conditions.....	5
2.2.1	Climate conditions	5
2.2.2	Site selection.....	5
2.2.3	Tilt Angle Selection.....	6
2.3	Mechanical Installation.....	7
2.3.1	Fixed Installation Mounting with Clamp	7
3	Wiring and Connections	10
4	Maintenance and Care.....	13
4.1	Visual Inspection.....	13
4.2	Cleaning	13
4.3	Inspection of Connectors and Cables	14
5	DISCLAIMER OF LIABILITY	14

Figures

Figure 1: Tilt angle selection.....	6
Figure 2: Clamp Drawing	8
Figure 3: Distance from Module Short Side to Mounting Clamps.....	8
Figure 4: Grounding of PV Module	11
Figure 5: Half-cut Cell Module Split Junction Box.....	11

Tables

Table 1: Clamp Dimensions.....	8
Table 2: Installation Dimensions of Different Module Types for Clamp Mounting	9

1 General Information

1.1 Overview

Thanks for choosing ECO GREEN ENERGY PV modules (hereafter referred to as “modules”). In order to ensure that the PV modules are installed correctly, please read the following instructions carefully before installing and using the modules.

Please remember that PV modules generate electricity and that certain safety measures must be taken to avoid danger.

- Protection class of modules: Class II (IEC61730:2023);
- Fire safety class: Class C according to UL790.

1.2 Warning

Precautions:

- Modules generate DC electrical energy when exposed to sunlight or other light sources. Improper contact with live parts of the module such as terminals can result in burns, sparks, and lethal shock.
- Front glass is used for module protection. Broken glass can cause electrical safety hazard (may cause electric shock or fire). These modules cannot be repaired and must be removed and replaced immediately.
- Breakage of the rear glass (in the case of bifacial PV modules) can also lead to the issue of electrical safety. As in the case of monofacial modules, this cannot be repaired and the modules must be disconnected and replaced immediately.
- The table of specifications is measured under standard test conditions (Irradiance 1000W/m², module cell temperature 25°C, air mass=1.5). The current and voltage generated by modules in different environments are different from those listed in the specification table. Therefore, when determining the specifications of the rated voltage, cable capacity, fuse capacity, controller capacity, and other output power related specifications, take the values of 1.25 times the short-circuit current and open-circuit voltage marked on the module as reference, and consult with your inverter/controller supplier for the system configuration design.
- During all deliveries, ensure that the modules are not subject to big shocks during transportation, which may damage the assembly or cause cracks in the cell of modules.
- When the electrical load is working, do not disconnect modules without authorization; if disconnecting the connector is needed, the DC and AC inverters must be turned off first or the main switch of the converter must be cut off.
- When the battery storage system is connected with the PV system, the battery must be installed correctly, so as to protect the operation of the system and ensure the user

safety; Follow the battery manufacturer's instructions for installation, operation, and maintenance.

Prohibitions:

- Do not apply excessive force or objects on the surface of the module, do not impact, and do not twist the frame of the module, which may damage the cells or cause the cells to crack.
- Do not use the module to replace or partly replace roofs and walls of buildings.
- Do not remove any part installed by ECO GREEN ENERGY or disassemble the module.
- Don't lift up the modules using the attached cables or the junction box.
- Modules (glass, junction boxes, connectors, etc.) shall be protected from long-term exposure to environments containing sulfur, acid, alkaline, etc., which may pose a risk of corrosion to the product, and organic solvents which can destroy anti-reflection (AR) coating on the front glass or have a negative impact on the polymers as junction boxes and backsheets.
- The junction box must meet IP68 (IEC60529) requirement, however it must be protected from direct sunlight and water immersion. The interconnection of female-male connectors shall meet the IP68 (IEC60529) requirements. However, it is not allowed to use the connector under water for a long time.
- The junction box and the connector shall not be in contact with oily substances, organic solvents and other corrosive materials that may cause functional failure, i.e., alcohol, gasoline, lubricants, rust inhibitors, herbicides, to avoid damage to the junction box and the connector. If the junction box and connector are contaminated, they are forbidden to use.
- Do not stand or step on the module like shown in the below pictures. This is prohibited and there is a risk of damaging the module and injuring the user.
- Do not touch live terminals with bare hands. Use insulated tools for electrical connections.
- Artificially concentrated sunlight shall not be directed onto the module. Do not expose the back of the monofacial module directly to sunlight.

Others:

- The maximum altitude of module installation is 2000m.
- The minimum distance from the seashore is 50m (for more info, please refer to 2.2.2). If the distance is less than 50m, we recommend using offshore photovoltaic modules. Please consult ECO GREEN ENERGY for details.
- When looking at PV modules with anti-reflection (AR) coating technology, it will be normal to see module with a slight color difference at different angles.

- Before the installation of modules, the modules shall be kept under rainproof facility to avoid direct exposure to rain and sunlight.
- Meaning of crossed –out wheeled dustbin:
 - Do not dispose of electrical appliances as unsorted municipal waste, use separate collection facilities.
 - Contact your local government for information regarding the collection systems available.
 - If electrical appliances are disposed of in landfills or dumps, hazardous substances can leak into the groundwater and get into the food chain, damaging your health and well-being.
 - When replacing old appliances with new ones, the retailer is legally obligated to take back your old appliance for disposals at least free of charge.

2 Installation

2.1 Installation safety

- Always wear safety helmet, insulated gloves, insulated rubber shoes, and other protective measures during installation.
- When installing or maintaining the PV system, please do not wear metal rings, watches and other metal products, so as not to cause electric shock danger and damage the modules.
- Keep the module unpacked until installation. Once the modules are removed from the pallet, they shall be installed and connected to the inverter. If they are not installed immediately, protective measures (such as adding rubber joint cover, etc.) shall be taken on the connection head.
- Do not touch the PV module with bare hands during installation unless necessary. The glass surface and the frame may be hot. There is a risk of burns and electric shock. Use the standard safety tools and equipment when installing the modules.
- Do not work in rain, snow or windy conditions.
- Due to the risk of electrical shock, do not perform any work if the terminals of the module are wet.
- Use insulated tools and do not use wet tools.
- Only the modules of the same size and the specifications within same range can be connected in series.
- Connect the male and female connectors correctly, check the wiring condition, all wires shall not be detached from the modules, and secure the wires with cable ties so

that the wires do not scratch or squeeze the backsheets of the modules.

- Do not touch the junction box or the connectors with bare hands during installation or under sunlight, regardless if the module is connected to or disconnected from the system.
- Do not drill holes in the frame without authorization from ECO GREEN ENERGY, which may cause corrosion or other negative effects to the module.
- Thermal expansion and cold contraction effect occur on the modules. During installation, the interval between two adjacent modules must be $\geq 10\text{mm}$. If there are special requirements, please confirm with ECO GREEN ENERGY before installation;
- During the installation, as for module removal, maintenance and any other related processes, it is recommended that the force applied between the cable and the connector, and the cable and the junction box to be no more than 60N.
- Do not install the modules anywhere close to open flames or exposed flammable and explosive gases.

2.2 Installation Conditions

2.2.1 Climate conditions

The recommended weather conditions for installing modules are:

- a) Humidity: $< 85\% \text{ RH}$
- b) Ambient air temperature range: -40°C to $+ 70^{\circ}\text{C}$
- c) Operating temperature: -40°C to $+ 70^{\circ}\text{C}$

2.2.2 Site selection

In most applications, ECO GREEN ENERGY PV modules should be installed in a location where they can receive maximum sunlight throughout the year. In the Northern Hemisphere, the module should typically face south, and in the Southern Hemisphere, the modules should typically face north. Modules facing 30 degrees away from due South (or due North) will lose approximately 10 to 15 percent of their power output. If the module faces 60 degrees away from due South (or due North), the power loss will be 20 to 30 percent. Refer to the longitude and latitude of the location to determine the optimal azimuth of the module.

When choosing a site, avoid trees, buildings or obstructions that could create shadows on the modules. Shading causes loss of power output, even though bypass diodes have been installed for the module, shading will affect the optimum performance and safety issue of the PV modules. Operation in permanent shading conditions is not recommended.

Do not install the PV module near open flame or flammable materials.

Do not install the PV module in a location where it would be immersed in water or continually exposed to water from a sprinkler or fountain etc.

ECO GREEN ENERGY PV modules have passed the IEC 61701 salt spray corrosion test (test method 6). PV modules can be installed at a distance of 50m away from the seashore. In the case when the modules are installed within 50m to 500m distance from the seashore, the connectors shall be protected, i.e., adding dust plugs. After removing the dust plugs, connect the connectors immediately and take other anti-rust measures to prevent rust.

For roof-top installations, the roof must be covered with at least one layer of fireproof material suitable for the fireproof class of the PV modules. To facilitate ventilation and heat dissipation of the module, the minimum distance between modules and roof must be ≥ 10 cm. Walkways should be reserved for cleaning, repairment and maintenance. For roof-top PV systems, please follow the safety principles of "from top to bottom" and "from left to right". Please use appropriate module components to comply with local laws and regulations, as well as the building fire safety requirements before installation, such as fuses, circuit breakers and grounding connectors, etc.

It is possible that modules installed with restricted airflow are not allowed for use in some hot locations, depending on system design parameters. Installers should assess if the system design at a specific geographic location will result in a 98th percentile module operating temperature greater than 70 °C, and must consider these factors in design of systems.

2.2.3 Tilt Angle Selection

The tilt angle of the PV module is measured between the surface of the PV module and a horizontal ground surface (Figure 1). The module generates maximum output power when directly facing the sun.

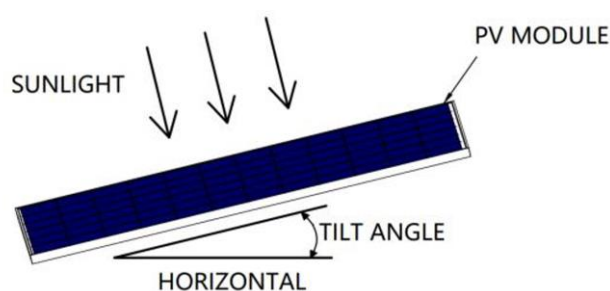


Figure 1: Tilt angle selection

For standalone systems, the tilt angle of the modules should be selected to optimize the performance based on the season and sunlight. In general, if the module output is adequate when the irradiance is low (i.e., winter), the angle chosen should be adequate during the rest of the year.

For grid-connected systems, modules should be tilted at the angle that the energy production from the modules will be maximized on an annual basis. The Fire Class Rating of a module for roof mounted system shall meet local code requirements in order to achieve the specified System Fire Class Rating for a non-BIPV module.

All PV systems have limitations of inclination required to maintain a specific System Fire Class Rating.

2.3 Mechanical Installation

Modules can usually be mounted by using the following methods: fixed installation-mounting with clamps.

Notes:

- 1) All installation methods herein are only for reference, and they are based on the test results from third-party tests and ECO GREEN ENERGY internal tests;
- 2) ECO GREEN ENERGY will not provide related mounting accessories, the system installer or trained professional personnel must be responsible for the PV system's design, installation, and mechanical load calculation and system security.
- 3) Before installation, the following items shall be addressed:
 - a. Visually check the module for any damage. Clean the module if any dirt or residue remains;
 - b. Check if module serial number stickers match.
- 4) The maximum loads that different types of modules can withstand on the front side and back side are dependent on installation methods, which can be referred to Table 6. If there is heavy snow and strong wind on the module installation site, take special protection to meet the actual requirements.

$$\text{Maximum Test Load} = 1.5 \times (\text{Design Load})$$

- 5) The module must be mounted on the bracket according to the following installation. If there are other installation, please consult ECO GREEN ENERGY and obtain approval, otherwise the warranty will be invalid.
- 6) Under the mounting method of the fixed bracket as specified in this manual, the modules will be concave to varying degrees due to the gravity, which is a normal physical phenomenon and does not affect the normal use and performance of the modules. Any other external forces will cause additional sinking of the modules, so any operation of the modules should comply with this manual.

2.3.1 Fixed Installation Mounting with Clamp

The clamps must not be installed in contact with the front glass of the module and must not deform the module frame. Ensure that the clamps do not create a shadow on the module. Under no circumstances may the frame be altered. When choosing the mounting method for the clamps, make sure that there are at least four clamps on each module. The different mounting positions of the clamps determine the maximum load capacity of the module.

Depending on the local wind and snow loads, if there is a possibility of excessive load

combinations, additional clamps are required to ensure that the module has enough load carrying capacity. The torque value applied during installation of the clamps should be high enough to securely hold the module (consult installer or bracket supplier for exact torque value).

Clamp dimensions and contact area must follow the values shown in Table 1. As shown in Figure 2, the length and width of the clamp are represented by a and b. The minimum length of a is 50mm, and the minimum width of d that is the contact width between clamp and frame is 10mm, and minimum thickness of clamp is 3mm.

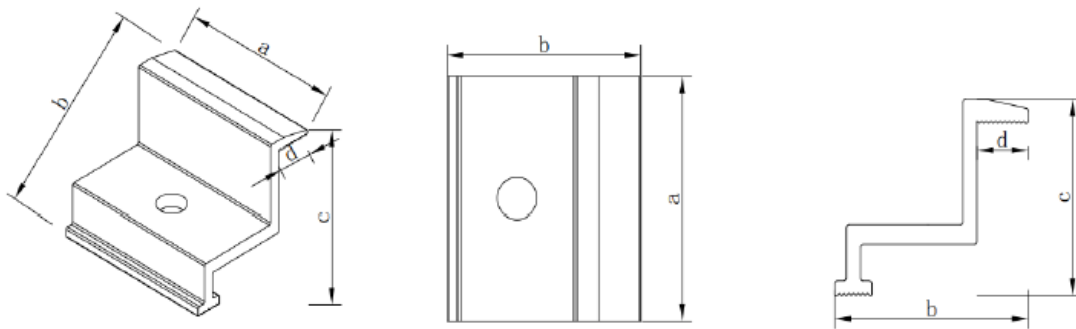


Figure 2: Clamp Drawing

<i>Length of the clamp</i>	≥50.0mm
<i>Overlap of the frame of the module</i>	≥10.0mm
<i>Thickness</i>	≥3.0mm

Table 1: Clamp Dimensions

The distance between the installation position of the long-side clamp and the edge is represented by L in Figure 3.

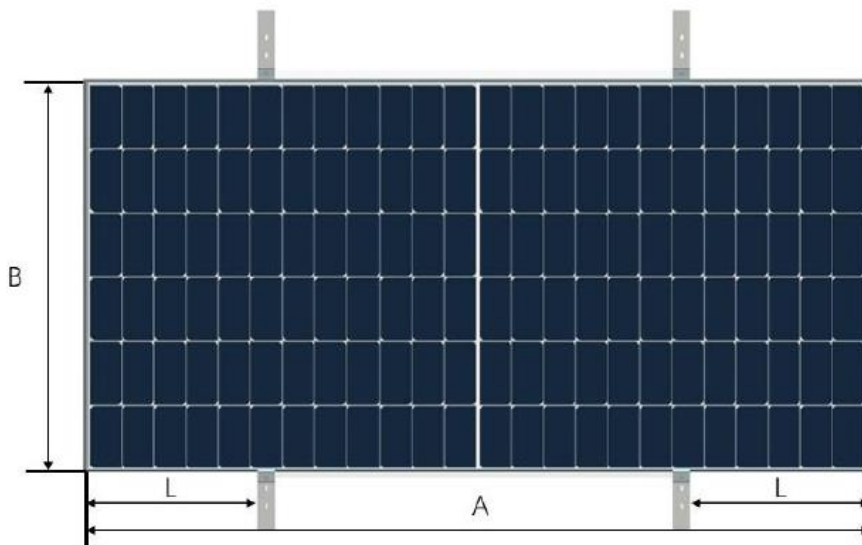


Figure 3: Distance from Module Short Side to Mounting Clamps

<i>The installation position under different installation methods for different module types</i>	<i>Clamp installation on long side (test load: +5400Pa, -2400Pa) L in Figure 3</i>	
Frame Thickness:	30mm	35mm
EGE-xxxW-156N(M10)	/	A/4±50mm
EGE-xxxW-144N(M10)	A/4±50mm	A/4±50mm
EGE-xxxW-132N(M10)	A/4±50mm	A/4±50mm
EGE-xxxW-120N(M10)	A/4±50mm	A/4±50mm
EGE-xxxW-108N(M10)	A/4±50mm	A/4±50mm
EGE-xxxW-132N(M10R)	/	A/4±50mm
EGE-xxxW-120N(M10R)	A/4±50mm	A/4±50mm
EGE-xxxW-108N(M10R)	A/4±50mm	A/4±50mm
EGE-xxxW-96N(M10R)	A/4±50mm	A/4±50mm
EGE-xxxW-156N(GM10)	/	A/4±50mm
EGE-xxxW-144N(GM10)	A/4±50mm	A/4±50mm
EGE-xxxW-132N(GM10)	A/4±50mm	A/4±50mm
EGE-xxxW-120N(GM10)	A/4±50mm	A/4±50mm
EGE-xxxW-108N(GM10)	A/4±50mm	A/4±50mm
EGE-xxxW-132N(GM10R)	/	A/4±50mm
EGE-xxxW-120N(GM10R)	A/4±50mm	A/4±50mm
EGE-xxxW-108N(GM10R)	A/4±50mm	A/4±50mm
EGE-xxxW-96N(GM10R)	A/4±50mm	A/4±50mm

Table 2: Installation Dimensions of Different Module Types for Clamp Mounting

Notes:

- A is the length of the long side of the module, B is the length of the short side. For details, please refer to PV module Datasheet.
- For the maximum loads that do not appear in Table 2 for certain installation methods, and for the other installation methods that doesn't appear in Fig. 2, please contact ECO GREEN ENERGY for more details.

3 Wiring and Connections

- 1) When installing and connecting modules, the foam tube must be removed first, ECO GREEN ENERGY will not guarantee the safety of products and the consistency of technical parameters if the connecting heads and tools used are not officially specified by ECO GREEN ENERGY or are not installed according to the official requirements.
- 2) PV modules connected in series shall have similar current, (please contact ECO GREEN ENERGY if there is any concern), and modules must not be connected together to create a voltage higher than the permitted system voltage. The maximum number of modules in series depends on system design and the rating of the inverter used.
- 3) The maximum fuse rating value in an array string can be found on product label or product datasheet. The fuse rating value is also corresponding to the maximum reverse current that a module can withstand, for example, when one string is in shade then the other parallel strings of modules will be loaded by the shaded string and the current will pass through to create a current circuit. Based on the maximum series fuse rating of module and local electrical codes and standards, make sure the modules strings in parallel are protected with the appropriate in-line string fuse.
- 4) Open the combiner box of the control system and connect the conductor from the PV arrays to the combiner box in accordance with the design and local codes and standards. The cross-sectional area and cable connector capacity must satisfy the maximum short-circuit of the PV system (for a single module, it is recommended that the cross-sectional area of cables be 4mm^2 and certified to IEC 62930 type 131), otherwise cables and connectors will become overheating for large current. Please pay attention that the temperature limit of cables is 90°C .
- 5) The module frame must be grounded, and the grounding design should be in accordance with local national, regional or international regulations, laws and standards, and the grounding connection should be carried out by qualified electricians.
- 6) The grounding device must penetrate the anodic oxide film of the component frame and make full contact with the interior of the aluminum alloy, and the grounding conductor must be connected to earth ground through a suitable grounding electrode.
- 7) There are grounding holes with a diameter of 4mm on the long side of the back frame of the module by the edge part, the hole can only be used for grounding, cannot be used for the installation of the module, and the frame of the module shall not be punched with additional holes.
- 8) Grounding devices and materials shall be provided by qualified manufacturers. Bolts, nuts and washers shall be of a size to match the grounding hole and made of stainless steel, and grounding wires shall be made of copper core wires with a size of AWG 6-12 ($4\text{-}14\text{mm}^2$) and shall comply with the requirements of the relevant local national, regional or international regulations, laws and standards.

- 9) ECO GREEN ENERGY recommends two types of grounding: bolted grounding, shown in Figure 4, and clamp grounding. The bolts should be tightened when grounding is installed and no damage should be done to the module frame or the grounding wire.

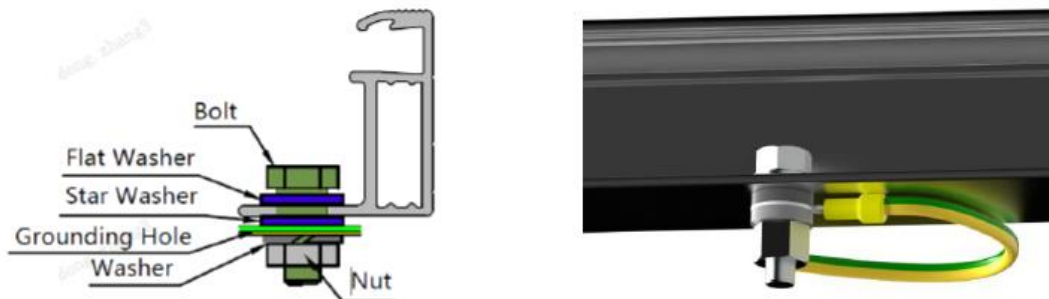


Figure 4: Grounding of PV Module

- 10) Follow the requirements of applicable local and national electrical codes.
- 11) Modules contain factory-installed bypass diodes. If modules are incorrectly connected to each other, the bypass diodes, cables or junction boxes may be damaged.
- 12) The length of the junction box shall be determined according to the component specifications and the customer's design proposal. As shown in Figure 5 below, consider the length of the lead wire before designing the wiring.

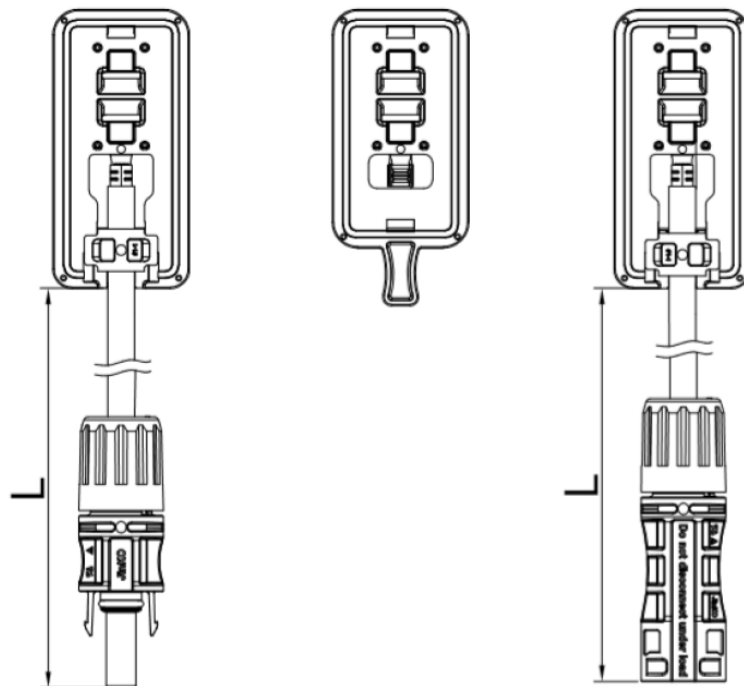


Figure 5: Half-cut Cell Module Split Junction Box

13) If modules are connected in series, the total voltage is equal to the sum of individual voltages. The recommended system voltage is as below,

$$\text{System Voltage} \geq N \times V_{oc} [1 + TCV_{oc} \times (T_{min} - 25)]$$

Where:

- N: module numbers in series;
- Voc: Open circuit voltage (refer to product label or datasheet);
- TCVoc: Temperature coefficient of open circuit voltage (refer to product label or datasheet);
- Tmin: Minimum ambient temperature.

If the modules are connected in parallel, the recommended number of modules in parallel is:

$$N_p = \left\lceil \frac{\text{maximum series fuse rating}}{I_{sc}} \right\rceil + 1$$

Where:

- N_p: module numbers in parallel;
- I_{sc}: Short Circuit Current

14) For floating projects, please contact local technical support.

15) Cable should meet IEC 62930

16) Specific PV connector mode, bypass diodes and manufacturer to which the module connectors shall be mated.

	Manufacturer	Type
Connector	Changshu Friends Connector Technology Co., Ltd.	Type PV3e DC 1500V, 30A or 45A IP65/IP68 (1m, 1h) -40°C to 85°C Type PV5e DC 1500V, 30A or 32A or 40A or 45A IP65/IP 68 (1m, 1h) -40°C to 85°C
	Staubli	MC4-Evo 2 DC 1500V, 45A IP65/IP68 (1m, 168h) -40°C to 85°C

<i>Bypass Diode</i>	Changshu Friends Connector Technology Co., Ltd.	Type: 30SQ045 Bypass diode for Type F20-01 003 Rated current of box=25A Tj max =200°C
	Yangzhou Yangjie Electronic Technology Co., Ltd.	Type: 40SQ045 Bypass diode for Type F20-01 003 Rated current of box=30A Tj max =200°C

4 Maintenance and Care

It is required to perform regular inspection and maintenance of the modules, especially during the warranty period. To ensure optimum module performance, ECO GREEN ENERGY recommends the following maintenance measures

4.1 Visual Inspection

Inspect the module s visually to find if there are any visual defects, if there are, the following items should be evaluated:

- a) If the modules are observed having slight module color differences at different angles, this is a normal phenomenon for modules with anti-reflection coating technology. If the colors are within the cell, please consult ECO GREEN ENERGY for further analysis.
- b) Whether the glass is broken.
- c) No sharp objects are in contact with the PV module surfaces.
- d) The PV modules are not shaded by unwanted obstacles or foreign material.
- e) Corrosion along the cells' busbar. The corrosion is caused by moisture intrusion thought the module backsheet. Check the backsheet for damage.
- f) Check whether the back sheet is burnt.
- g) Check if screws and mounting accessories are tight, adjust and tighten as necessary.

4.2 Cleaning

- a) A buildup of dust or dirt on the module front face will result in a decreased energy output. Clean the module preferably once per annum, more frequently in dusty conditions, using soft cloth dry or damp. Water with high mineral content may leave deposits on the glass surface and is not recommended. It is recommended to use neutral water of the PH value ranging from 6.5 to 8.5 to clean the glass, so as not to cause damage to the glass coating layer;
- b) Never use abrasive material under any circumstances;
- c) In order to reduce the potential for electrical and thermal shock, ECO GREEN ENERGY recommends to clean PV modules during early morning or late afternoon hours when

solar irradiation is low and the modules are cooler, especially in regions with hot temperatures;

- d) Never attempt to clean PV module with broken glass or other signs of exposed wiring, as this presents a shock hazard;
- e) Never use chemicals when cleaning modules as this may affect the module warranty and energy yield. For the environment with extreme climate, please contact ECO GREEN ENERGY after-sales department for specific requirement if needed;
- f) For single-side module, backsheet cleaning is not necessary; for dual-glass module, cleaning the module backside regularly when necessary, and follow the requirements in 4.2 a) – e). Please wear insulated gloves and pay special attention to the cables and electrical connections during the backside cleaning.

4.3 Inspection of Connectors and Cables

It's recommended to implement the following preventive maintenance every 6 months:

- a) Check the sealing gels of the junction box for any damage.
- b) Examine the modules for signs of deterioration. Check all wiring for possible rodent damage, weathering and that all connections are tight and corrosion free. Check the electrical grounding.

For more information, please refer to the O&M manual.

5 DISCLAIMER OF LIABILITY

Because the use of the manual and the conditions or methods of installation, operation, use and maintenance of photovoltaic (PV) product are beyond ECO GREEN ENERGY 's control, ECO GREEN ENERGY does not accept responsibility and expressly disclaims liability for loss, damage, or expense arising out of or in any way connected with such installation, operation, use or maintenance.

No responsibility is assumed by ECO GREEN ENERGY for any infringement of patents or other rights of third parties, which may result from use of the P V product. NO license is granted by implication or otherwise under any patent or patent rights.

The information in this manual is based on ECO GREEN ENERGY 's knowledge and experience and is believed to be reliable, but such information including product specification (without limitations) and suggestions do not constitute a warranty, expresses or implied. ECO GREEN ENERGY reserves the right to change the manual, the PV produce, the specifications, or product information sheets without prior notice.